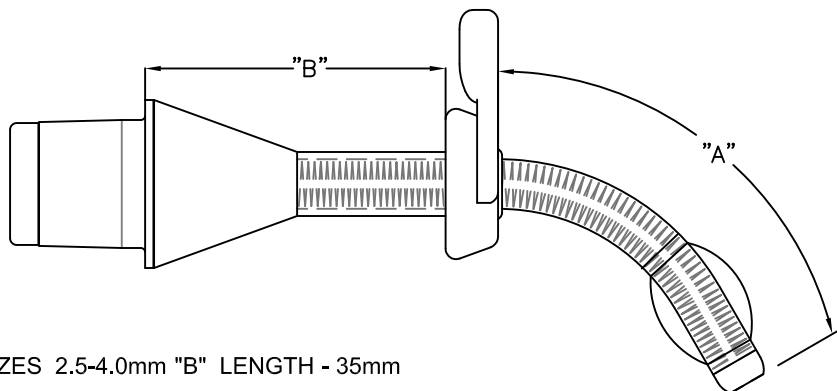

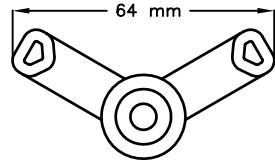
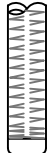
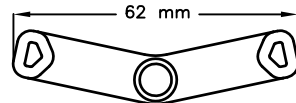


PEDIATRIC / NEONATAL CUSTOMIZED EXTENDED CONNECT[®] TRACHEOSTOMY TUBE TEMPLATE

ARCADIA MEDICAL[®]

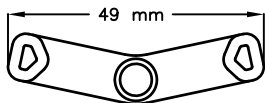
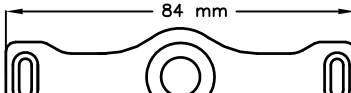


FOR SIZES 2.5-4.0mm "B" LENGTH - 35mm
 FOR SIZES 4.5-5.5mm "B" LENGTH - 40mm
 LENGTH "B" OTHER THAN ABOVE SPECIFY

CUFF OPTIONS	NECK FLANGE OPTIONS
<input type="checkbox"/> LP LOW PROFILE CUFF 	<input type="checkbox"/> "V" NECK FLANGE  64 mm PED/NEO SIZES 2.5-5.5mm
<input type="checkbox"/> CUFFLESS 	<input type="checkbox"/> LARGE PERFECT FIT NECK FLANGE  62 mm PED/NEO SIZES 2.5-5.5mm

WIRE REINFORCED AIRWAY
SIZES AVAILABLE 2.5-5.5, * 6.0-6.5, 7.0 mm
I.D. _____ mm
LENGTH AT CENTER LINE "A" _____ mm
LENGTH AT CENTER LINE "B" _____ mm

SPECIAL ORDERS WILL BE HANDLED ON AN INDIVIDUAL BASIS
COMMENTS: _____
SHIP TO: _____

<input type="checkbox"/> SMALL PERFECT FIT NECK FLANGE  49 mm NEONATAL SIZES 2.5-4.0mm
<input type="checkbox"/> STANDARD ADULT NECK FLANGE  84 mm *ADULT SIZES ONLY 5.0, 5.5, 6.0, 6.5, 7.0mm

CLINICIAN NAME:
SIGNATURE: _____ DATE: _____
CLINICIAN CREDENTIALS:
PATIENT/CLIENT ID:

DISTRIBUTOR NAME:	ARCADIA APPROVAL:
COUNTRY:	CUSTOMER P.O. NUMBER:
QUANTITY ORDERED _____ UNIT(S)	REORDER NUMBER: AMEXC-

CONTACT INFORMATION: ARCADIA MEDICAL CORPORATION TELEPHONE: 219.779.9431 (USA)
FAX OR E-MAIL COMPLETED FORM TO: FAX: 847.620.2502 (USA) E-MAIL: info@arcadiamedical.com

NON STERILE PRODUCT: MUST BE STEAM STERILIZED PRIOR TO USE.

CAUTION: FEDERAL (USA) LAW RESTRICTS THIS DEVICE TO SALE BY OR ON THE ORDER OF A PHYSICIAN.
 NOTE: ANY REQUIRED MODIFICATIONS WILL BE MADE WITH THE APPROVAL OF THE CLINICIAN.
 PLEASE PRINT CLEARLY. ARCADIA MEDICAL WILL REVIEW THE FINISHED TEMPLATE FOR CONSENT.

www.arcadiamedical.com

AMEXC FORM 30 REVISION G 5/2012